

CAJOSMART™ - EMBEDDED SOFTWARE FOR DEMANDING MARKING PROCESSES

CAJOSMART™

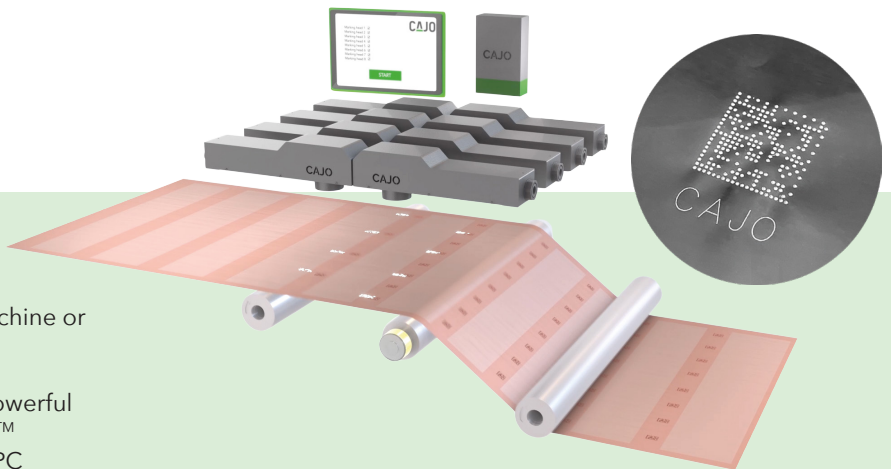
CajoSmart™ is an embedded laser marking software designed by **Cajo Technologies** for demanding, high-speed and time-critical manufacturing processes. The flexible software can communicate seamlessly with machine or production control systems.

Combined with Cajo's laser marking system and the powerful core of the software, **Cajo Control Board™**, CajoSmart™ enables complete control of the marking process. No PC is needed on the production floor thanks to Cajo's capable control system.

This revolutionary solution provides first-class markings in hectic manufacturing environments. The typical application is a high-speed 24/7 production line where markings are done on-the-fly and high reliability is required.

The marking content and parameters can be changed from other systems using integration interfaces. CajoSmart™ generates dynamic track and trace marking content such as **2D codes, barcodes, and texts** from given data automatically. The marking content can contain, for example, fixed texts, logos, timestamps, counter values, and data received from the integration interface. The marking parameters for each material and product can be stored in the system.

CajoSmart™ supports **multirow text marking** and **template-based marking content**. The content can be designed by Cajo's comprehensive laser marking software **CajoSuite for CajoSmart™**.



CajoSmart™ can be operated via the **CajoSmart™ UI, Web UI**, or by executing remote commands through **integration interfaces**. The user interface and integration interfaces have the same functionality available, including **setting marking content, adjusting marking parameters, and controlling the marking system**.

CajoSmart™ provides **TCP/IP JSON** and **OPC UA** server integration interfaces. This allows, for example, another automation system, such as **PLC, robot, or MES**, to control and monitor the operation of Cajo's laser marking system. The **CajoSmart™ I/O** interface provides system status information and inputs for marking triggering. The CajoSmart™ user interface (UI) enables synchronized control of multiple CajoSmart™ laser marking systems at the same time.

Choose Cajo for demanding product marking.



SYNCHRONIZED CONTROL OF MULTIPLE CAJOSMART™ MARKING SYSTEMS



NO PC NEEDED ON THE PRODUCTION FLOOR



FAST MARKING ON THE FLY FOR MASS PRODUCTION LINES



COMPLETE CONTROL OF THE COMPREHENSIVE MARKING PROCESS



SEAMLESS INTEGRATION TO OTHER SYSTEMS



VARIABLE TEXT AND CODING FOR FULL TRACEABILITY

CONTACT INFORMATION

Rasivainiontie 8
FI-90440
Kempele, FINLAND
info@cajotechnologies.com

CAJOTECHNOLOGIES.COM





CAJOSMART™ EASY TO INTEGRATE, EASY TO USE

Implementing the **Cajo laser marking system** and the embedded CajoSmart™ on the production lines is designed to be as seamless as possible. **Well-documented interface descriptions** and **easy-to-use user interfaces** provide fast implementation to any manufacturing process.

Creating laser marking content is intuitive and straightforward for operators in daily production. In multirow mode marking, the content can be defined using **CajoSmart™ UI, Web UI, or Cajo integration interfaces**.

CajoSuite for CajoSmart™ offers manufacturers a comprehensive design environment to create template-based marking content. A template can be chosen through CajoSmart™ UI, Web UI, or Cajo integration interfaces. In addition, templates can contain fixed and dynamic content such as **2D codes, barcodes, fixed texts, logos, timestamps, counter values, and data received from the integration interface**.



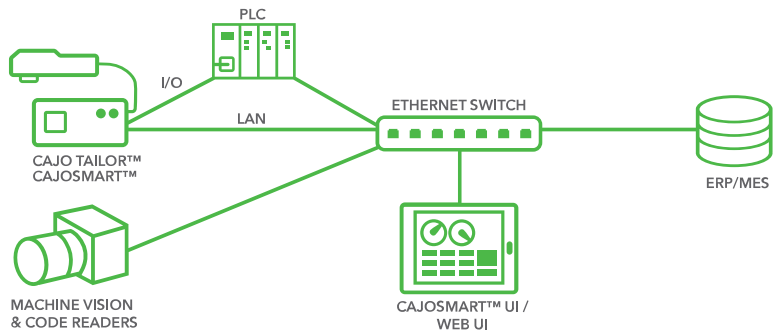
CAJOSMART™

BASIC FEATURES

- Variable text and coding
- Automatic sequencing, timestamps, etc. are available
- Multirow text marking or template-based content
- Any vector graphics or logos can be added to the marking
- Comprehensive user manuals with minimal training required
- Industry 4.0 capability and continuous software development
- Factory-calibrated system with matching design and marking dimensions

USER INTERFACE

- Multilingual CajoSmart™ UI (option) optimized for touchscreen operation
- Multilingual and platform-independent CajoSmart™ Web UI (option)
- Multiple lasers can be controlled with one CajoSmart™ UI
- Enables a 3rd party to create their own UI by using Cajo integration interfaces



CAJO INTEGRATION INTERFACE

- I/O
- TCP/IP (JSON)
- OPC UA
- Common industrial communications protocols, such as Profinet, with an additional adapter

CAJOSUITE FOR CAJOSMART™ FEATURES

CajoSuite™ is a comprehensive and easy-to-use software for laser marking. The flexible software contains features for designing markings and variables for full traceability and product identification. Created content can be uploaded to CajoSmart™ with one click.

Templates can be created and edited by one user and utilized in the production system by another user, anywhere and at any time within the same network.



COMPREHENSIVE CAD FEATURES FOR DESIGNING TEMPLATES



EASY-TO-USE PARAMETER LIBRARY



VARIABLE TEXT AND CODING FOR FULL TRACEABILITY

TRADEMARK

All trademarks are the property of Cajo Technologies Ltd. All rights reserved. Information contained herein is subject to change without notice. No part of this Data Sheet may be reproduced in any form or by any means, electronic, mechanical, photocopying, recording, or otherwise, without the prior written permission of Cajo Technologies Ltd. Cajo Technologies Ltd. retains ownership and all other rights of all drawings, models, shapes, solutions, ideas, or any kind of industrial property rights presented or expressed in this Data Sheet. All other use of the material presented or expressed in this Data Sheet except for getting acquainted with, quoting, ordering, or using in business otherwise involving Cajo Technologies Ltd. is strictly prohibited.

